



CT1110, CT1111, CT1112, CT1113, CT1114, CT1115, CT1116, CT1117, CT1118, CT1119

DC Input 5-Pin Long Mini-Flat Phototransistor Optocoupler

Features

- High isolation 5000 VRMS
- CTR flexibility available see order information
- Extra low coupling capacitance
- DC input with transistor output
- Operating Temperature range - 55 °C to 110 °C
- Regulatory Approvals
 - UL - UL1577 (E364000)
 - VDE - EN60747-5-5(VDE0884-5)
 - CQC – GB4943.1, GB8898
 - IEC60065, IEC60950
- Creepage distance > 8 mm
- Green Package

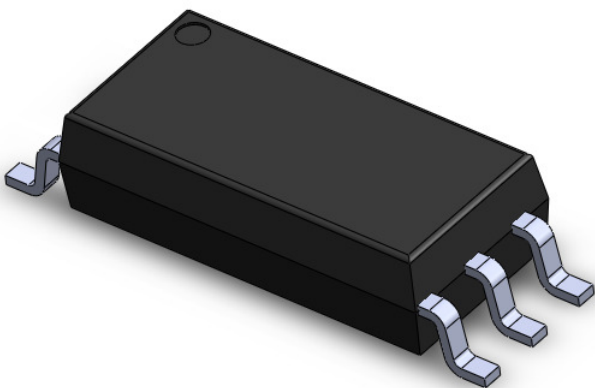
Applications

- Switch mode power supplies
- Computer peripheral interface
- Microprocessor system interface

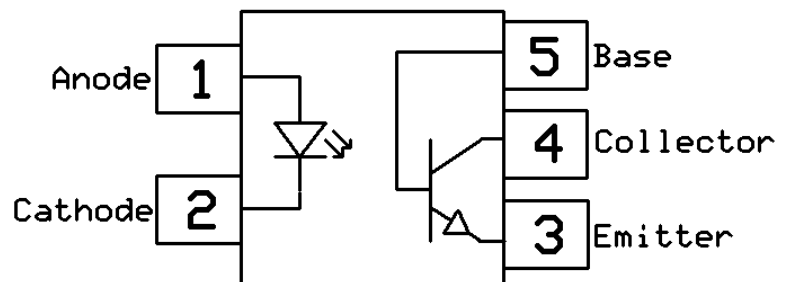
Description

The CT1110, CT1111, CT1112, CT1113, CT1114, CT1115, CT1116, CT1117, CT1118, CT1119 series consists of a photo transistor optically coupled to a gallium arsenide Infrared-emitting diode in a 5-lead SOP Package.

Package Outline



Schematic





CT1110, CT1111, CT1112, CT1113, CT1114, CT1115, CT1116, CT1117, CT1118, CT1119 DC Input 5-Pin Long Mini-Flat Phototransistor Optocoupler

Absolute Maximum Rating at 25°C

Symbol	Parameters	Ratings	Units	Notes
V _{ISO}	Isolation voltage *1	5000	V _{RMS}	
T _{OPR}	Operating temperature	-55 ~ +110	°C	
T _{STG}	Storage temperature	-55 ~ +125	°C	
T _{SOL}	Soldering temperature *2	260	°C	
Emitter				
I _F	Forward current	50	mA	
I _{F(TRANS)}	Peak transient current (≤1μs P.W,300pps)	1	A	
V _R	Reverse voltage	6	V	
P _D	Power dissipation	85	mW	
Detector				
P _D	Power dissipation	150	mW	
B _{VCEO}	Collector-Emitter Breakdown Voltage	80	V	
B _{VECO}	Emitter-Collector Breakdown Voltage	7	V	
B _{VCBO}	Collector-Base Breakdown Voltage	80	V	
B _{VEBO}	Emitter-Base Breakdown Voltage	7	V	
I _C	Collector Current	50	mA	

Note:

1. Bias for 1minute with R.H.=40~60%. For this test, Pins 1 and 2 are common, and Pins 3 and 4 are common.
2. Soldering Time: 10 seconds



CT1110, CT1111, CT1112, CT1113, CT1114, CT1115, CT1116, CT1117, CT1118, CT1119

DC Input 5-Pin Long Mini-Flat Phototransistor Optocoupler

Electrical Characteristics $T_A = 25^\circ\text{C}$ (unless otherwise specified)

Emitter Characteristics

Symbol	Parameters	Test Conditions	Min	Typ	Max	Units	Notes
V_F	Forward voltage	$I_F = 10\text{mA}$		1.24	1.4	V	
		$I_F = 50\text{mA}$	-	1.45	1.5	V	
I_R	Reverse Current	$V_R = 6\text{V}$	-	-	5	μA	
C_{IN}	Input Capacitance	$f = 1\text{kHz}$	-	45	-	pF	

Detector Characteristics

Symbol	Parameters	Test Conditions	Min	Typ	Max	Units	Notes
$B_{V_{CEO}}$	Collector-Emitter Breakdown	$I_C = 100\mu\text{A}$	80	-	-	V	
$B_{V_{ECO}}$	Emitter-Collector Breakdown	$I_E = 100\mu\text{A}$	7	-	-	V	
$B_{V_{CBO}}$	Collector-Base Breakdown	$I_C = 100\mu\text{A}$	80	-	-	V	
$B_{V_{EBO}}$	Emitter-Base Breakdown	$I_E = 100\mu\text{A}$	7	-	-	V	
I_{CEO}	Collector-Emitter Dark Current	$V_{CE} = 20\text{V}$	-	-	100	nA	
I_{CBO}	Collector-Base Dark Current	$V_{CB} = 20\text{V}$			20	nA	



CT1110, CT1111, CT1112, CT1113, CT1114, CT1115, CT1116, CT1117, CT1118, CT1119

DC Input 5-Pin Long Mini-Flat Phototransistor Optocoupler

Transfer Characteristics

Symbol	Parameters	Test Conditions	Min	Typ	Max	Units	Notes		
CTR	Current Transfer Ratio	$I_F = 5\text{mA}, V_{CE} = 5\text{V}$	CT1110	50	-	600	%		
			CT1115	50	-	150			
			CT1116	100	-	300			
			CT1117	80	-	160			
			CT1118	130	-	260			
			CT1119	200	-	400			
		$I_F = 10\text{mA}, V_{CE} = 5\text{V}$	CT1111	60	-	300			
			CT1112	63	-	125			
			CT1113	100	-	200			
			CT1114	160	-	320			
			$I_F = 1\text{mA}, V_{CE} = 5\text{V}$	CT1112	22	-		-	
				CT1113	34	-		-	
				CT1114	56	-		-	
$V_{CE(SAT)}$	Collector-Emitter Saturation Voltage	$I_F = 10\text{mA}, I_C = 1\text{mA}$	-	-	0.4	V			
R_{IO}	Isolation Resistance	$V_{IO} = 500\text{V}_{DC}$	5×10^{10}			Ω			
C_{IO}	Isolation Capacitance	$f = 1\text{MHz}$			1	pF			

Switching Characteristics

Symbol	Parameters	Test Conditions	Min	Typ	Max	Units	Notes
T_{ON}	Turn On Time	$I_C = 5\text{mA}, V_{CE} = 5\text{V}, R_L = 100$	-	5	-	μs	
T_{OFF}	Turn Off Time		-	4.2	-		
t_r	Rise Time		-	2.8	-		
t_f	Fall Time		-	4.1	-		



CT1110, CT1111, CT1112, CT1113, CT1114, CT1115, CT1116, CT1117, CT1118, CT1119 DC Input 5-Pin Long Mini-Flat Phototransistor Optocoupler

Typical Characteristic Curves

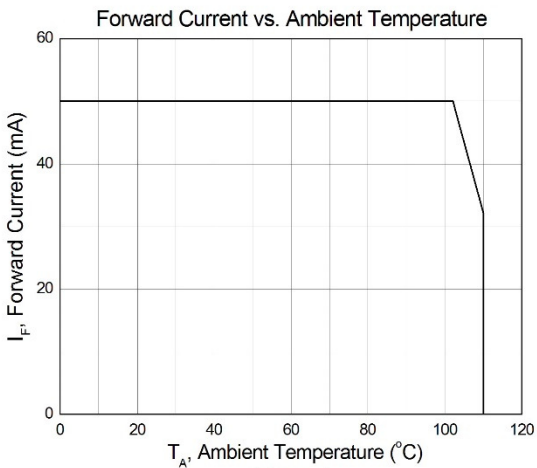


Figure 1

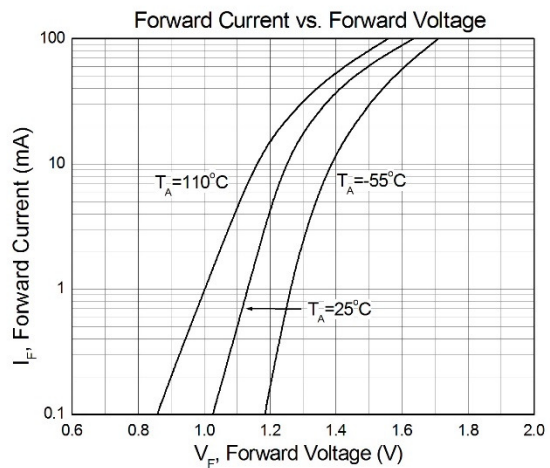


Figure 2

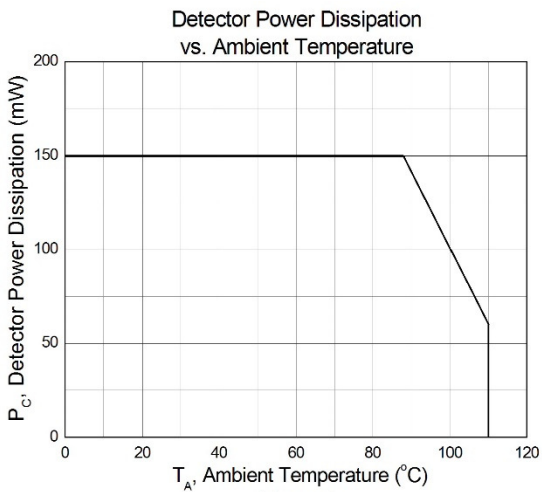


Figure 3

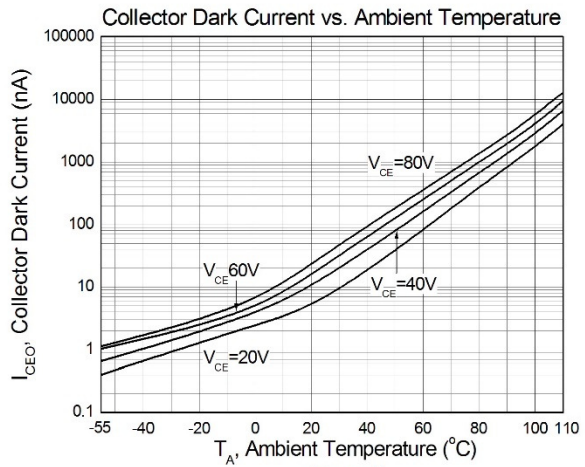


Figure 4

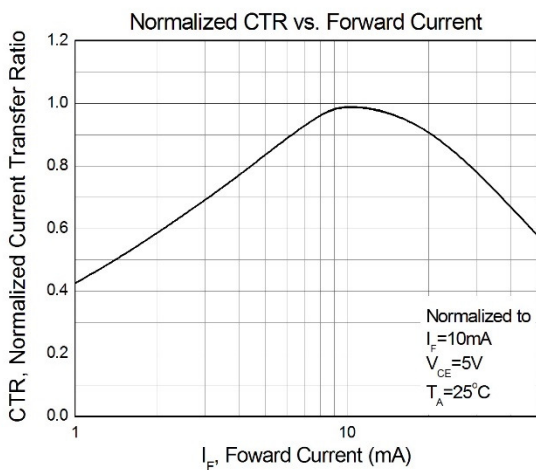


Figure 5

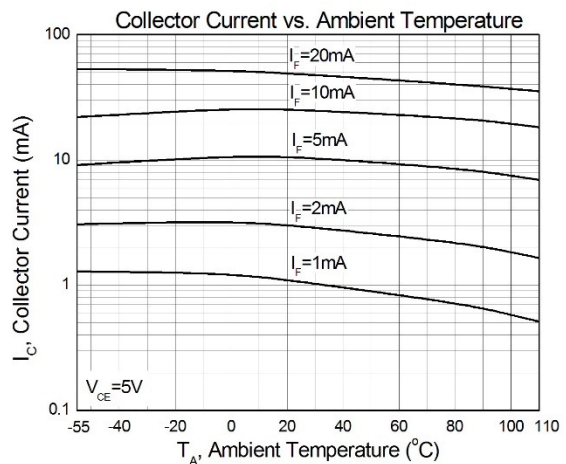


Figure 6



CT1110, CT1111, CT1112, CT1113, CT1114, CT1115, CT1116, CT1117, CT1118, CT1119 DC Input 5-Pin Long Mini-Flat Phototransistor Optocoupler

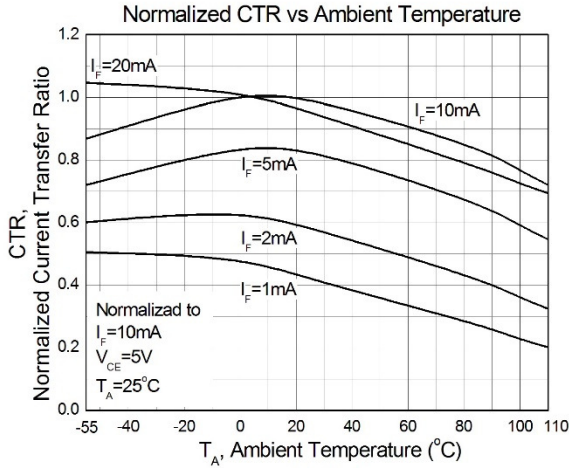


Figure 7

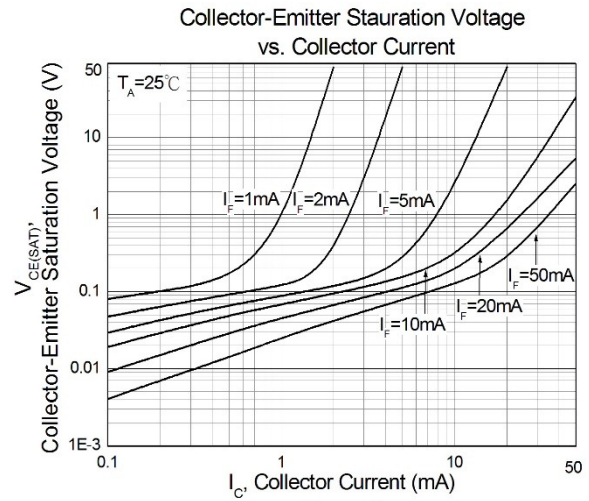


Figure 8

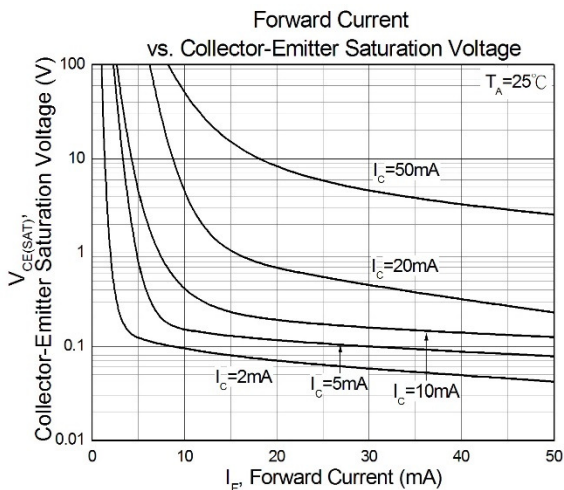


Figure 9

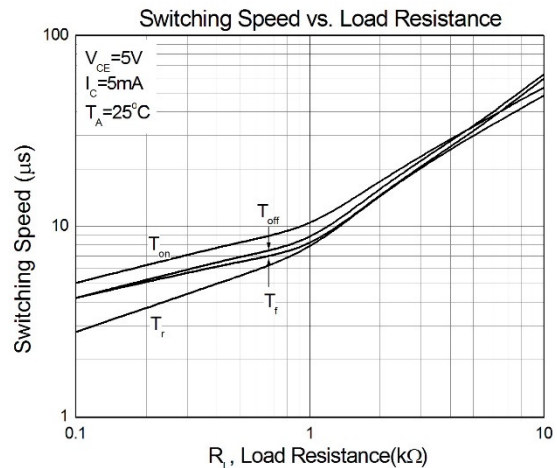


Figure 10

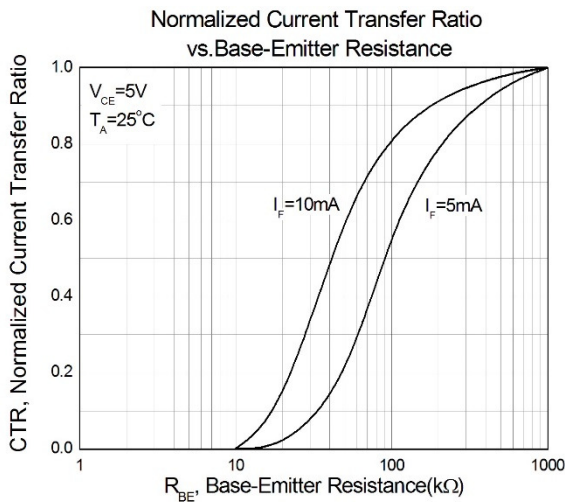


Figure 11

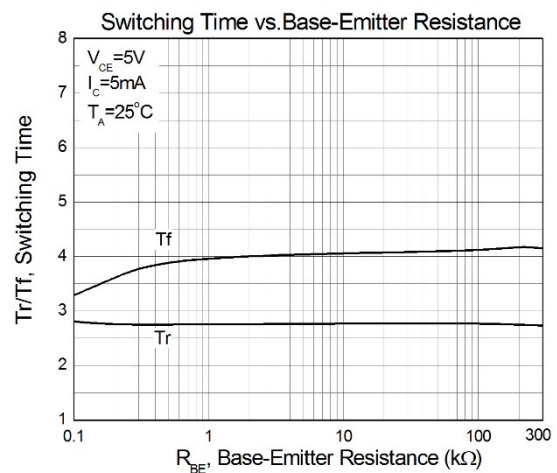


Figure 12



CT1110, CT1111, CT1112, CT1113, CT1114, CT1115, CT1116, CT1117, CT1118, CT1119 DC Input 5-Pin Long Mini-Flat Phototransistor Optocoupler

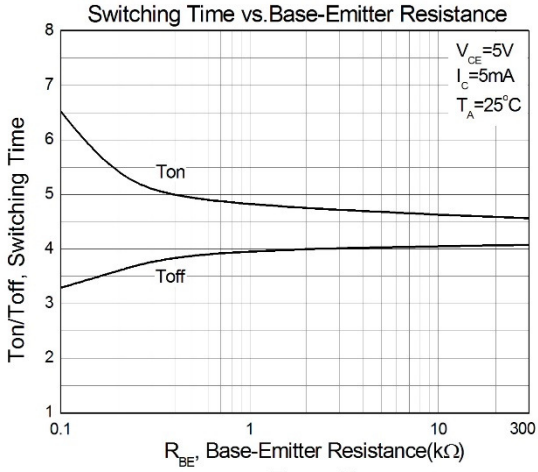
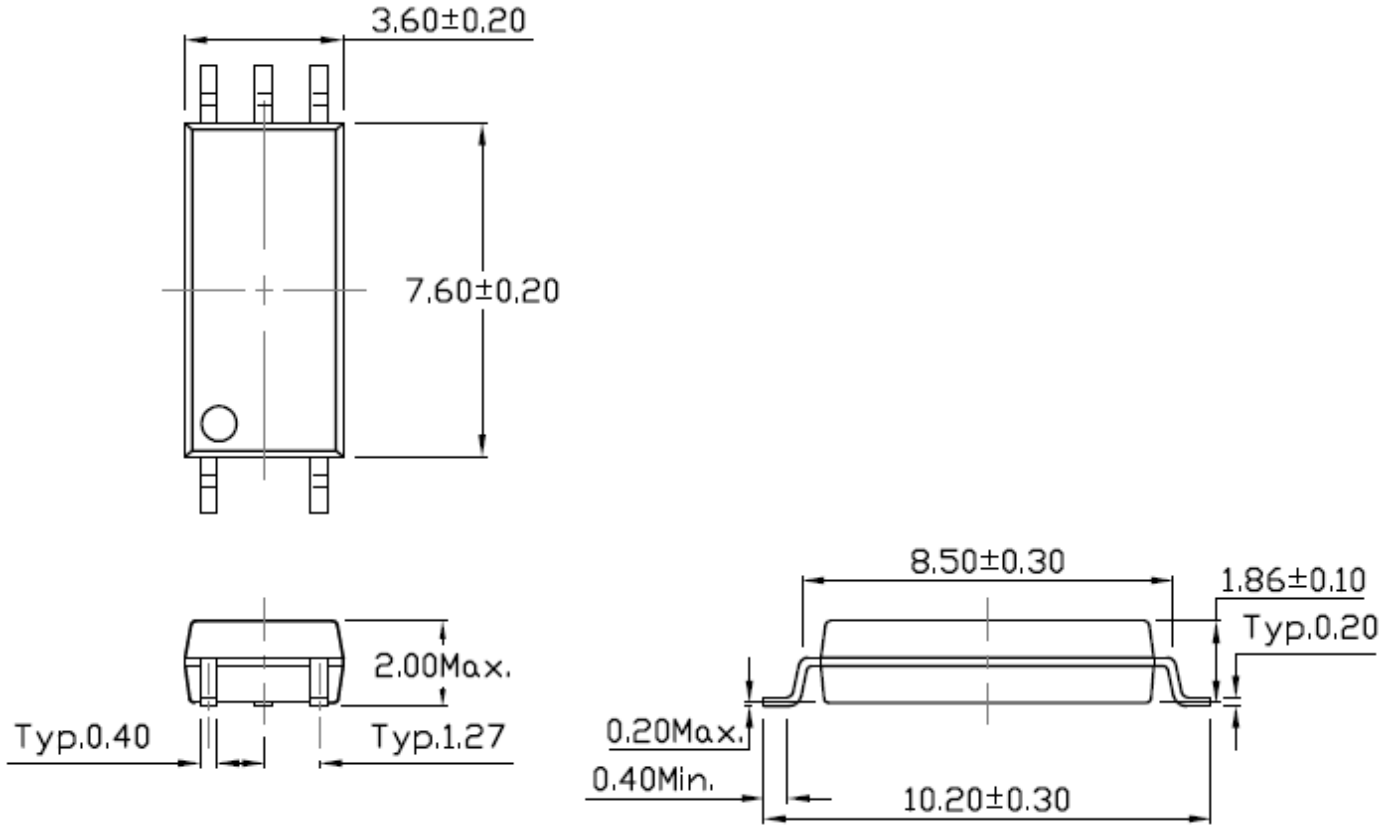


Figure 13

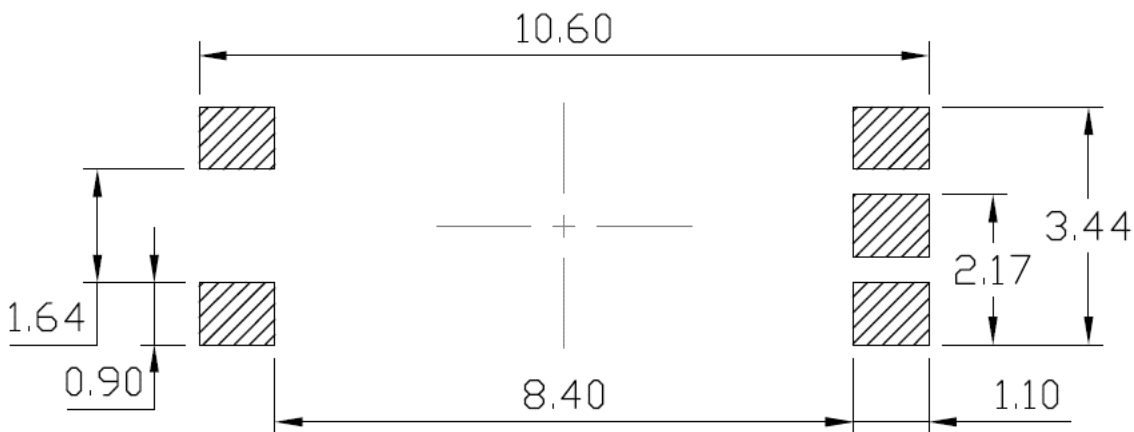


CT1110, CT1111, CT1112, CT1113, CT1114, CT1115, CT1116, CT1117, CT1118, CT1119 DC Input 5-Pin Long Mini-Flat Phototransistor Optocoupler

Package Dimension *Dimensions in mm unless otherwise stated*



Recommended Solder Mask *Dimensions in mm unless otherwise stated*





CT1110, CT1111, CT1112, CT1113, CT1114, CT1115, CT1116, CT1117, CT1118, CT1119

DC Input 5-Pin Long Mini-Flat Phototransistor Optocoupler

Marking Information



Note:

- CT : Logo
- 1110 : Part Number
- V : VDE Option
- Y : Fiscal Year
- WW : Work Week
- D : Manufacturing Code

Ordering Information

CT111X(V)(Y)

X = Part No. (0,1, 2, 3, 4, 5, 6, 7, 8, 9)

V = VDE Option (V or None)

Y = Tape and reel option (T1 or T2)

Option	Description	Quantity
T1	Surface Mount Lead Forming – With Option 1 Taping	3000Units/Reel
T2	Surface Mount Lead Forming – With Option 2 Taping	3000Units/Reel

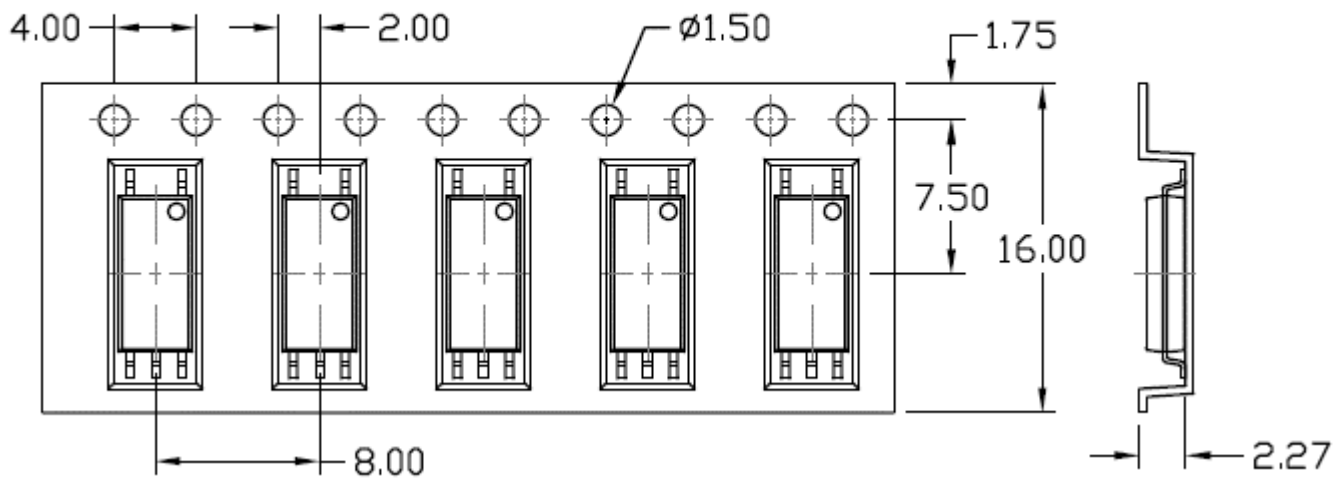


CT1110, CT1111, CT1112, CT1113, CT1114, CT1115, CT1116, CT1117, CT1118, CT1119 DC Input 5-Pin Long Mini-Flat Phototransistor Optocoupler

Carrier Tape Specifications *Dimensions in mm unless otherwise stated*

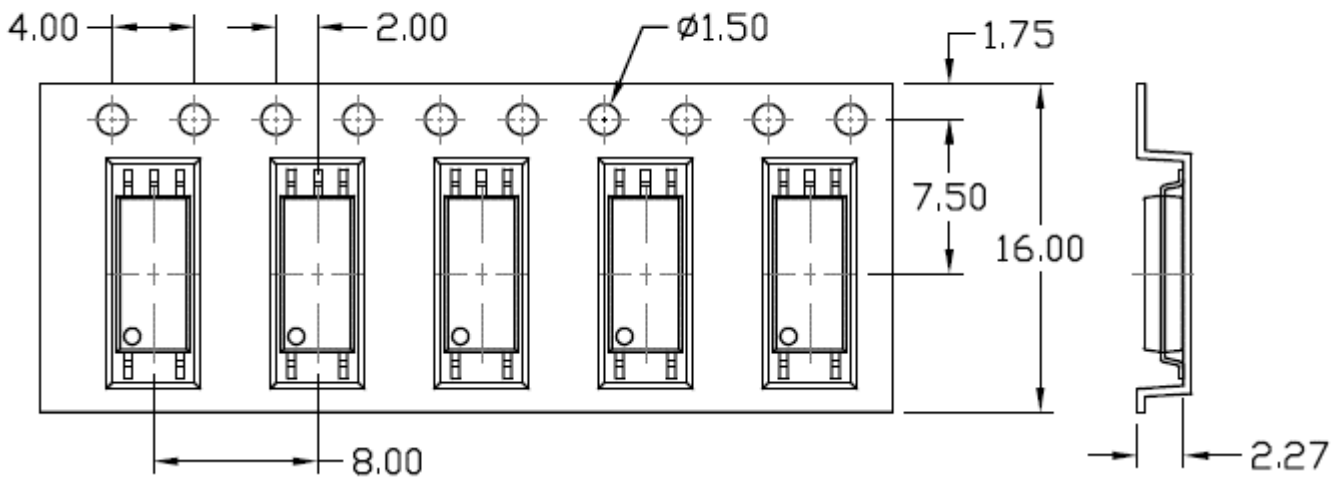
Option T1

Input Direction
→



Option T2

Input Direction
→

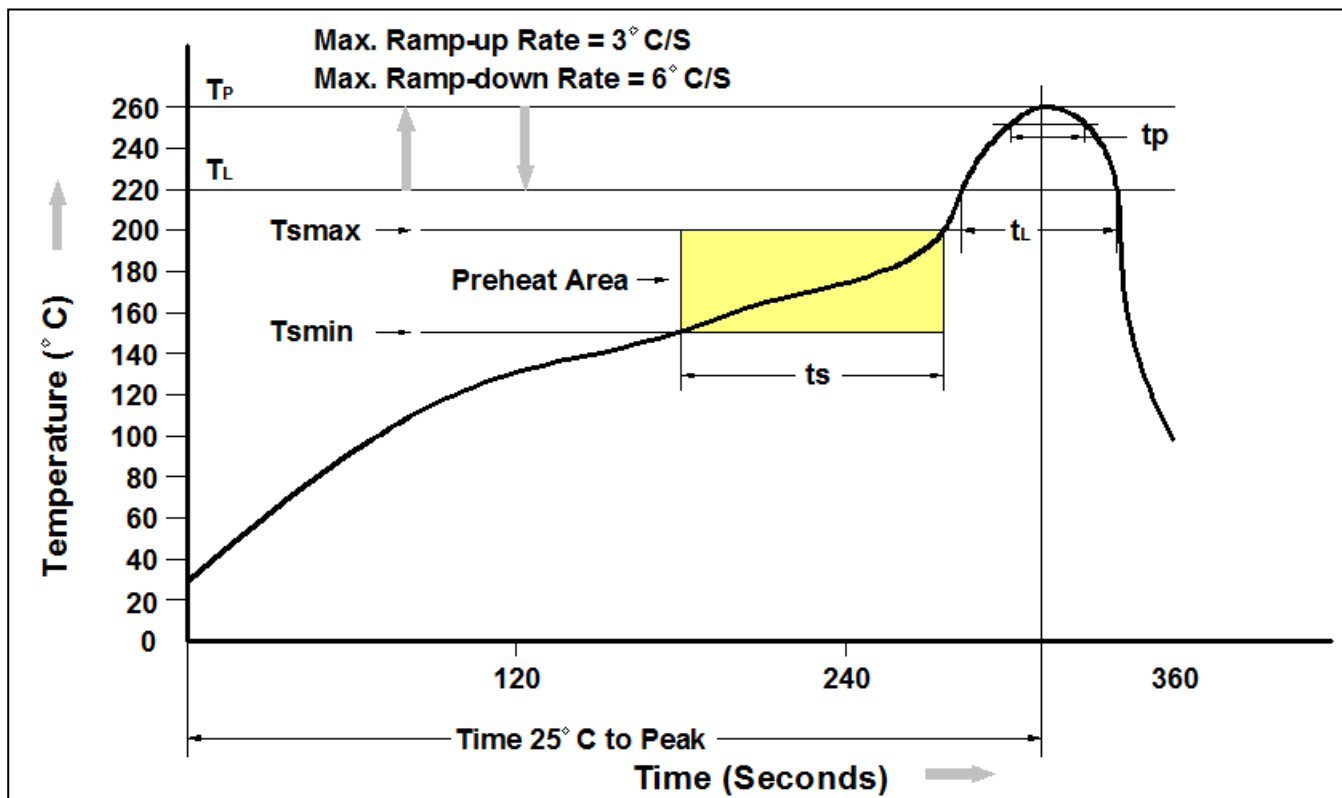




CT1110, CT1111, CT1112, CT1113, CT1114, CT1115, CT1116, CT1117, CT1118, CT1119

DC Input 5-Pin Long Mini-Flat Phototransistor Optocoupler

Reflow Profile



Profile Feature	Pb-Free Assembly Profile
Temperature Min. (Tsmin)	150 °C
Temperature Max. (Tsmax)	200 °C
Time (ts) from (Tsmin to Tsmax)	60-120 seconds
Ramp-up Rate (t _L to t _P)	3°C/second max.
Liquidous Temperature (T _L)	217 °C
Time (t _L) Maintained Above (T _L)	60 – 150 seconds
Peak Body Package Temperature	260 °C +0 °C / -5 °C
Time (t _P) within 5 °C of 260 °C	30 seconds
Ramp-down Rate (T _P to T _L)	6°C/second max
Time 25 °C to Peak Temperature	8 minutes max.



**CT1110, CT1111, CT1112, CT1113, CT1114,
CT1115, CT1116, CT1117, CT1118, CT1119
DC Input 5-Pin Long Mini-Flat Phototransistor Optocoupler**

DISCLAIMER

CT MICRO RESERVES THE RIGHT TO MAKE CHANGES WITHOUT FURTHER NOTICE TO ANY PRODUCTS HEREIN TO IMPROVE RELIABILITY, FUNCTION OR DESIGN. CT MICRO DOES NOT ASSUME ANY LIABILITY ARISING OUT OF THE APPLICATION OR USE OF ANY PRODUCT OR CIRCUIT DESCRIBED HEREIN; NEITHER DOES IT CONVEY ANY LICENSE UNDER ITS PATENT RIGHTS, NOR THE RIGHTS OF OTHERS.

CT MICRO ARE NOT AUTHORIZED FOR USE AS CRITICAL COMPONENTS IN LIFE SUPPORT DEVICES OR SYSTEMS WITHOUT EXPRESS WRITTEN APPROVAL OF CT MICRO INTERNATIONAL CORPORATION.

- 1. Life support devices or systems are devices or systems which, (a) are intended for surgical implant into the body, or (b) support or sustain life, or (c) whose failure to perform when properly used in accordance with instruction for use provided in the labelling, can be reasonably expected to result in significant injury to the user.*
- 2. A critical component is any component of a life support device or system whose failure to perform can be reasonably expected to cause the failure of the life support device or system, or to affect its safety or effectiveness.*